

Name \_\_\_\_\_

Date \_\_\_\_\_

3. The ancient Egyptians used \_\_\_\_\_ to carry heavy stones to build pyramids such as these.



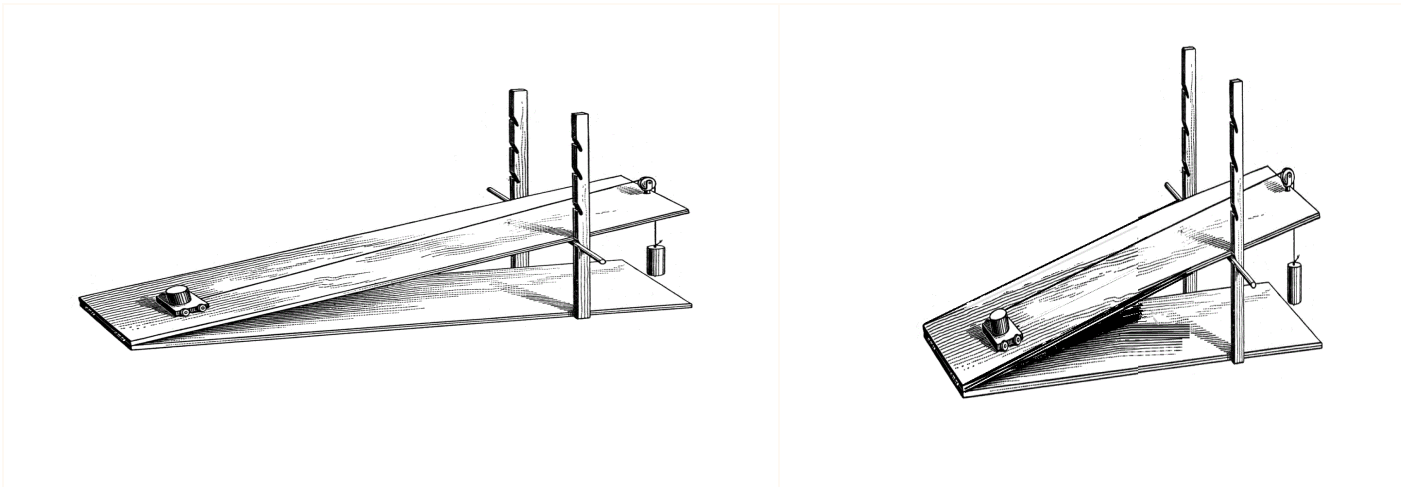
- wheel and axle
- screws

- lever
- pulleys

- inclined planes
- wedges

4. Which has a greater mechanical advantage?

A gentle incline plane or a steep incline plane



5. Select the examples of a lever.

- ceiling fan
- garden shovel

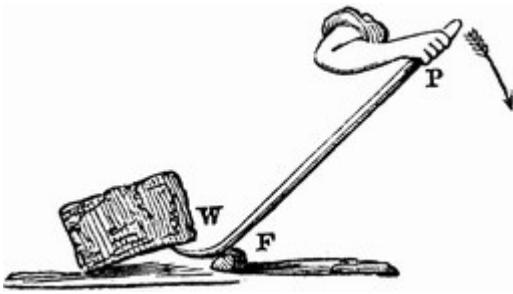
- faucet taps
- seesaw

- bulbs

Name \_\_\_\_\_

Date \_\_\_\_\_

6. Observe the crowbar below. Which simple machine gives its advantage?

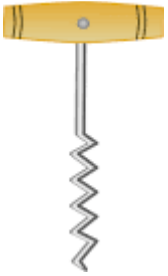


- pulley
- screw
- lever
- wedge

7. A good example of a wheel and axle is \_\_\_\_.

- light bulbs
- door knob
- fishing line
- faucet taps

8. What type of simple machine is a cork opener?



- wedge
- lever
- pulley
- screw

9. Which screw is easier to use?



A

B

Name \_\_\_\_\_

Date \_\_\_\_\_

10. Which wedge can be used for the following? Match the wedge for the purpose.

**SORT ELEMENTS**

- |                                    |                            |
|------------------------------------|----------------------------|
| <input type="radio"/> door stopper | split                      |
| <input type="radio"/> axe          | to tighten or to hold back |
| <input type="radio"/> nail         | scrape                     |
| <input type="radio"/> blades       | cut                        |
| <input type="radio"/> knife        | hold together              |

11. A school flag is an example of this simple machine.

- a pulley
- wedge
- wheel and axle